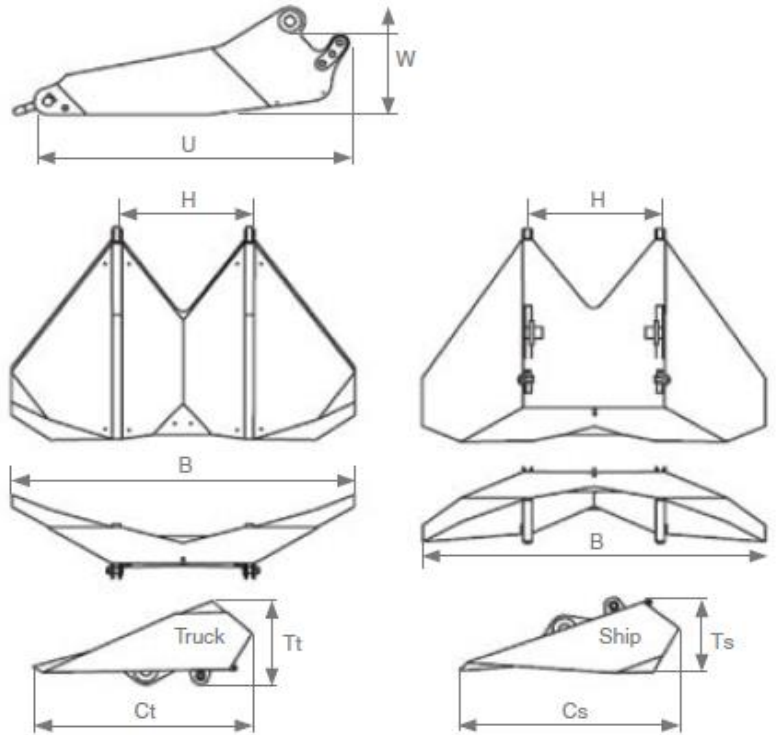
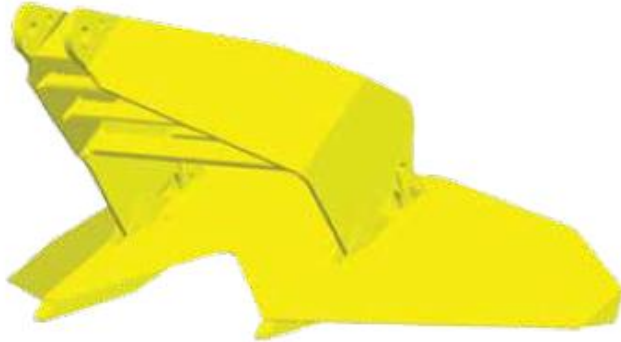


Vryhof Stevpris Mark 6



Anchor weight (kg)	B (mm)	Ct (mm)	Cs (mm)	H (mm)	Tt (mm)	Ts (mm)	U (mm)	V (mm)	W (mm)
1500	3060	1980	1960	1170	780	700	2790	1210	990
3000	3870	2490	2470	1490	980	880	3520	1540	1250
5000	4600	2950	2930	1780	1160	1040	4170	1830	1480
8000	5390	3450	3430	2090	1360	1220	4880	2150	1730
10000	5810	3720	3690	2250	1460	1310	5260	2320	1860
12000	6170	3950	3920	2390	1550	1390	5590	2460	1980
15000	6680	4260	4230	2610	1680	1500	6020	2690	2130
18000	7100	4520	4490	2780	1780	1590	6400	2860	2270
20000	7370	4690	4650	2890	1840	1650	6620	2970	2350
22000	7630	4840	4800	3000	1900	1700	6840	3090	2420
25000	7960	5050	5010	3140	1990	1780	7140	3230	2530
30000	8450	5360	5320	3320	2110	1890	7580	3420	2690

All dimensions are approximate

