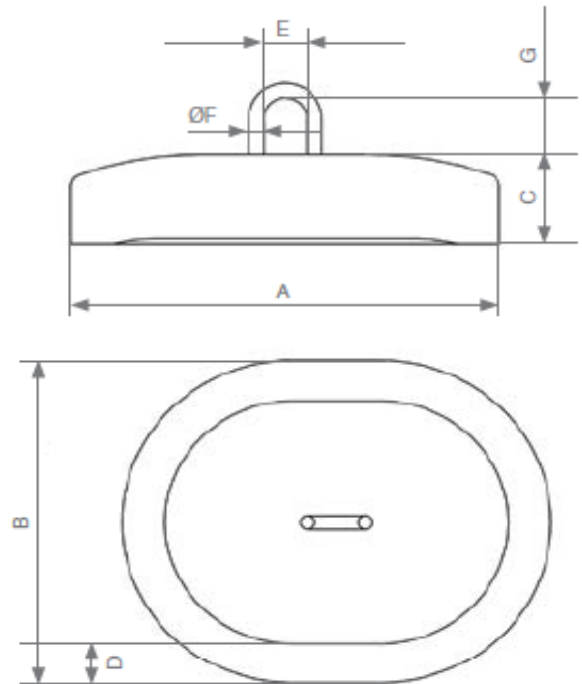


Clump Weight or Sinker



Anchor weight (kgs)	A (mm)	B (mm)	C (mm)	D (mm)	E (mm)	F (mm)	G (mm)
1T	1000	800	220	100	170	35	140
2T	1400	1000	280	150	170	64	180
3T	1600	1160	290	180	170	64	180
4T	1780	1360	290	190	170	70	190
5T	2000	1400	310	190	170	70	190
6T	2160	1500	320	190	170	80	220
10T	2580	1920	360	250	170	120	280

Other sizes available on request

