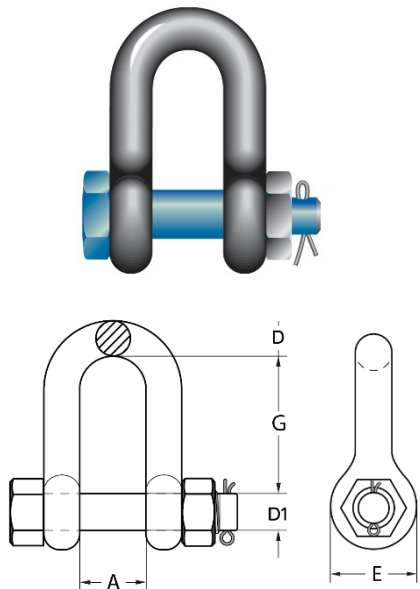
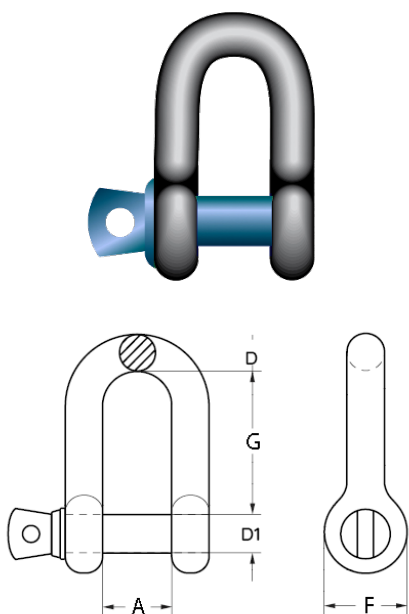


Grade 'S' Safety Dee Shackle Galvanised



WLL (Te)	D Diameter (mm)	A (mm)	D1 (mm)	E (mm)	G (mm)	Weight (kg)
2	13	21	16	33	41	0.36
3.2	16	27	19	40	51	0.76
4.7	19	32	22	48	60	1.23
6.5	22	37	25	54	71	1.79
8.5	25	43	29	60	81	2.78
9.5	29	46	32	67	90	3.75
12	32	52	35	76	100	5.31
13.5	35	57	38	84	113	6.98
17	38	60	44	92	124	9.44
25	44	73	51	110	146	14.1
35	51	83	57	127	171	23.71
42.5	57	85	63	143	181	29.01
55	63	105	70	152	203	40.86

Grade 'S' Safety Dee Screw Pin Shackle Galvanised



WLL (Te)	D Diameter (mm)	A (mm)	D1 (mm)	F (mm)	G (mm)	Weight (kg)
0.5	6	12	8	17	22	0.5
0.75	8	13	10	21	26	0.75
1	10	17	11	25	32	1
1.5	11	18	13	27	37	1.5
2	13	21	16	33	41	2
3.2	16	27	19	40	51	3.2
4.7	19	32	22	48	60	4.7
6.5	22	37	25	54	71	6.5
8.5	25	43	29	60	81	8.5
9.5	29	46	32	67	90	9.5
12	32	52	35	76	100	12
13.5	35	57	38	84	113	13.5
17	38	60	44	92	124	17
25	44	73	51	110	146	25
35	51	83	57	127	171	35
42.5	57	95	63	143	181	42.5
55	63	105	70	152	203	55