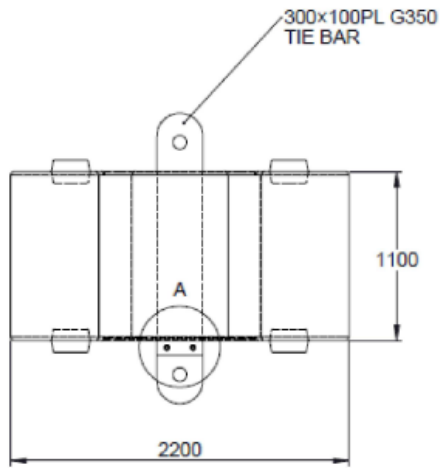


4000kg Mega Buoys

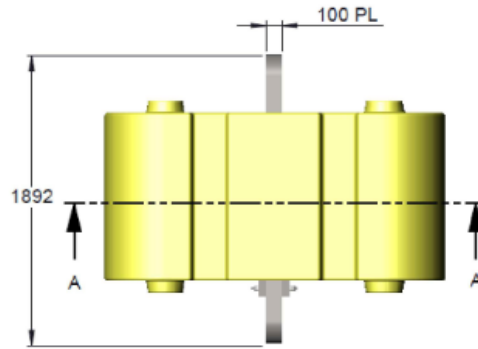
The 4000kg Mega Buoy is a high capacity mooring buoy designed for the most demanding applications. They are moulded as stackable modules to make buoys with net buoyancy in 4000kg increments, held together with an impressive 600Te engineered tie bar. The modules are rotationally moulded as a one-piece seamless buoy with Polyethylene walls and urethane foam filling giving them a high strength to weight ratio.

The buoys and tie-bars are manufactured in Western Australia allowing a quick turnaround time and high level of quality control. The PE rota-moulded design is virtually maintenance free and are considered "collision favourable" compared to steel buoys.

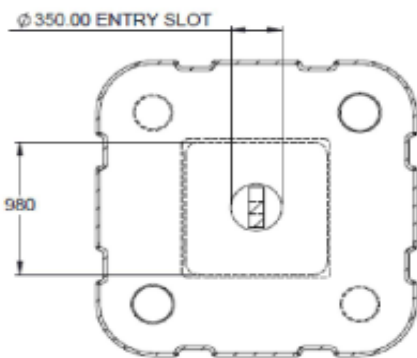
These buoys are well suited for cyclone moorings where large chain capacities are required. These buoys are specifically designed to fit in a 20Ft shipping container for ease of transport.



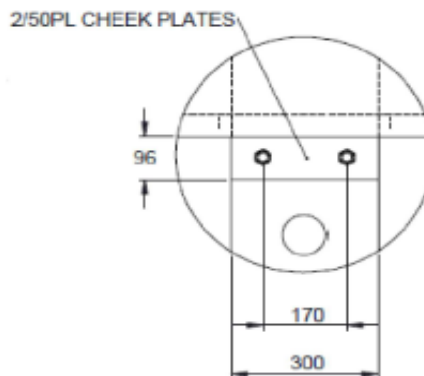
ELEVATION



SIDE



SECTION A-A
SCALE 1 : 30



DETAIL A
SCALE 1 : 10



Part Number	Total Buoy Weight	Reserve Buoyancy	Chain Capacity	Tie Bar WLL	Green Pin Shackle to Suit
	Kg	Kg	Kg	Tonnes	
4000KG MEGABUOY	1200	2800	2000	200	85T